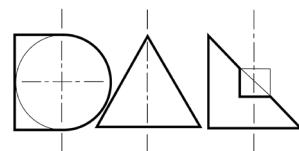
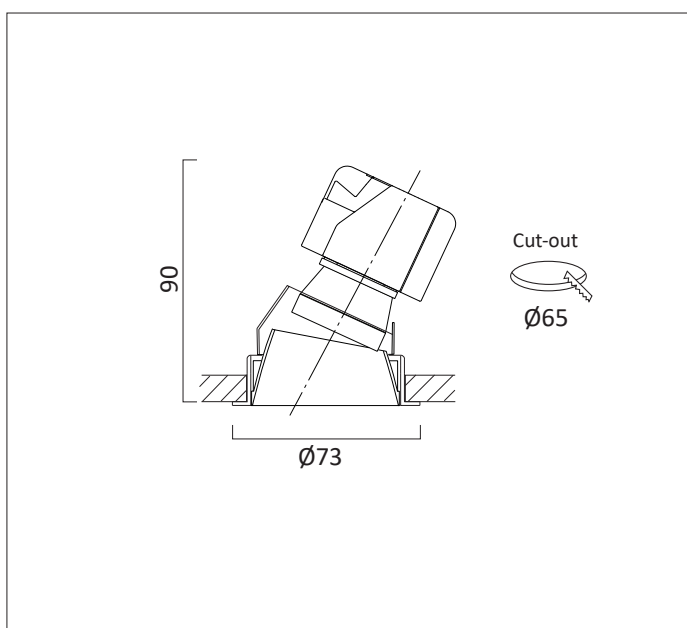


M-FLUX M2 DIRECTIONAL - CREE LED



M-FLUX M2 DIRECTIONAL Round recessed downlighter with standard white ceiling trim and a choice of deep cone reflector finish and beam distribution. The high-quality precision lens and deep cone aluminium reflector gives visual comfort. Driver mounted remotely. The M-FLUX M2 DIRECTIONAL is easy to install and incorporates the latest, high efficiency LED technology. Colour consistency through life is ensured by state-of-the-art components and passive cooling aluminium heat sinks. Standard colour temperatures: 2700K, 3000K, 4000K, colour rendering Ra >80 or Ra>90 2-3 step Macadam are all available. Life 50000 hours.

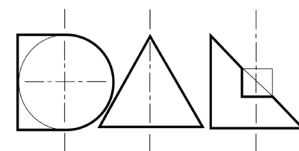
A choice of drivers provide fixed supply or dimming to project requirements. IP20 or IP44 durable, high specification die-cast construction, colour powder coat finish provides longevity. Built to conform to the requirements of BS EN 60598-1 and IEC 598. Overall diameter 73mm, cut out 65mm diameter.



	Specular Silver	Spectro Silver	Satin Silver	Black	White	Gold
IP20						
13°	M6421	M6428	M6422	M6423	M6424	M6425
28°	M6431	M6438	M6432	M6433	M6434	M6435
44°	M6451	M6458	M6452	M6453	M6454	M6455
IP44						
13°	M6521	M6528	M6522	M6523	M6524	M6525
28°	M6531	M6538	M6532	M6533	M6534	M6534
44°	M6551	M6558	M6552	M6553	M6554	M6554

CREE LIGHT ENGINE

CXB1310 - (6mm LES)



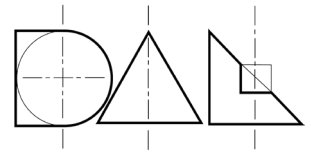
Engine Order Code	LED Source (Lumens)	CCT	CRI	Pd (W)	VF forward	Current
09H2	950	2700K	>80	7.11W	32.3	220 mA
11H2	1105	2700K	>80	8.46W	32.5	260 mA
12H2	1255	2700K	>80	9.82W	32.7	300 mA
09H3	990	3000K	>80	7.11W	32.2	220 mA
11H3	1151	3000K	>80	8.46W	32.5	260 mA
13H3	1308	3000K	>80	9.82W	32.7	300 mA
10H5	1000	4000K	>80	7.11W	32.2	220 mA
12H5	1200	4000K	>80	8.46W	32.5	260 mA
14H5	1400	4000K	>80	9.82W	32.7	300 mA

Primary Lumens Quoted via CREE Product Characterization Tool - CXB1310 Std 6r 36V
 2700K 80CRI typical [1459], 3000K 80CRI typical [1520], 4000K 80CRI typical [1613].
 The figures quoted use TCI (driver manufacturer) data.

Engine Order Code	LED Source (Lumens)	CCT	CRI	Pd (W)	VF forward	Current
07J2	779	2700K	>90	7.11W	32.2	220 mA
09J2	906	2700K	>90	8.46W	32.5	260 mA
10J2	1030	2700K	>90	9.82W	32.7	300 mA
08J3	826	3000K	>90	7.11W	32.2	220 mA
09J3	961	3000K	>90	8.46W	32.5	260 mA
10J3	1092	3000K	>90	9.82W	32.7	300 mA
09J5	903	4000K	>90	7.11W	32.2	220 mA
10J5	1050	4000K	>90	8.46W	32.5	260 mA
11J5	1193	4000K	>90	9.82W	32.7	300 mA

Primary Lumens Quoted via CREE Product Characterization Tool - CXB1310 Std 6r 36V
 2700K 90CRI typical [1197], 3000K 90CRI typical [1269], 4000K 90CRI typical [1387].
 The figures quoted use TCI (driver manufacturer) data.

Tolerance range for optical and electrical data: ±10 %.



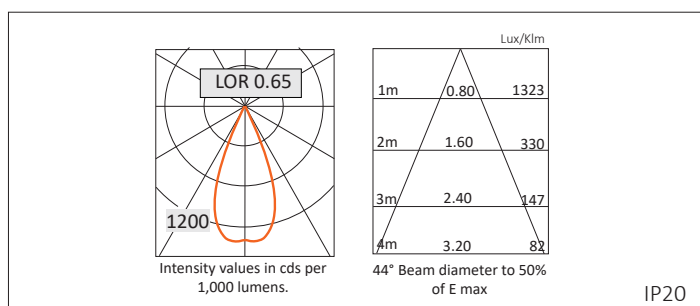
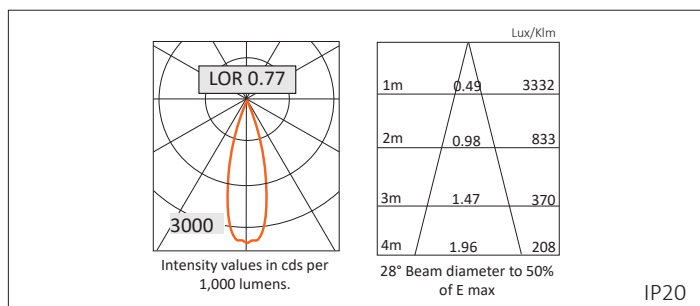
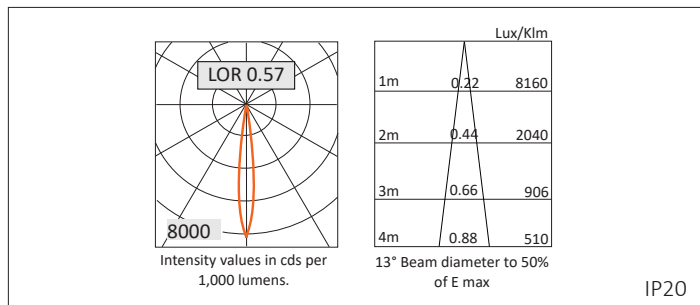
Driver
Order Code

0	FIXED
1	1-10V
3	DSI
5	DALI
7	LEAD / TRAIL
9	ADDRESSABLE

Emergency
Order Code

0	No emergency
E	3 hour maintained emergency pack
9E	with DALI Addressable with full error feed back

PHOTOMETRIC DATA



Full Product Number Example

M645812H210

M64 M2 Directional Cree LED- IP20

5 44°

8 Spectro Silver

12 1255 lumens

H CRI >80 - 2-3 Step MacAdam

2 2700K

1 1-10V dimming

0 No Emergency